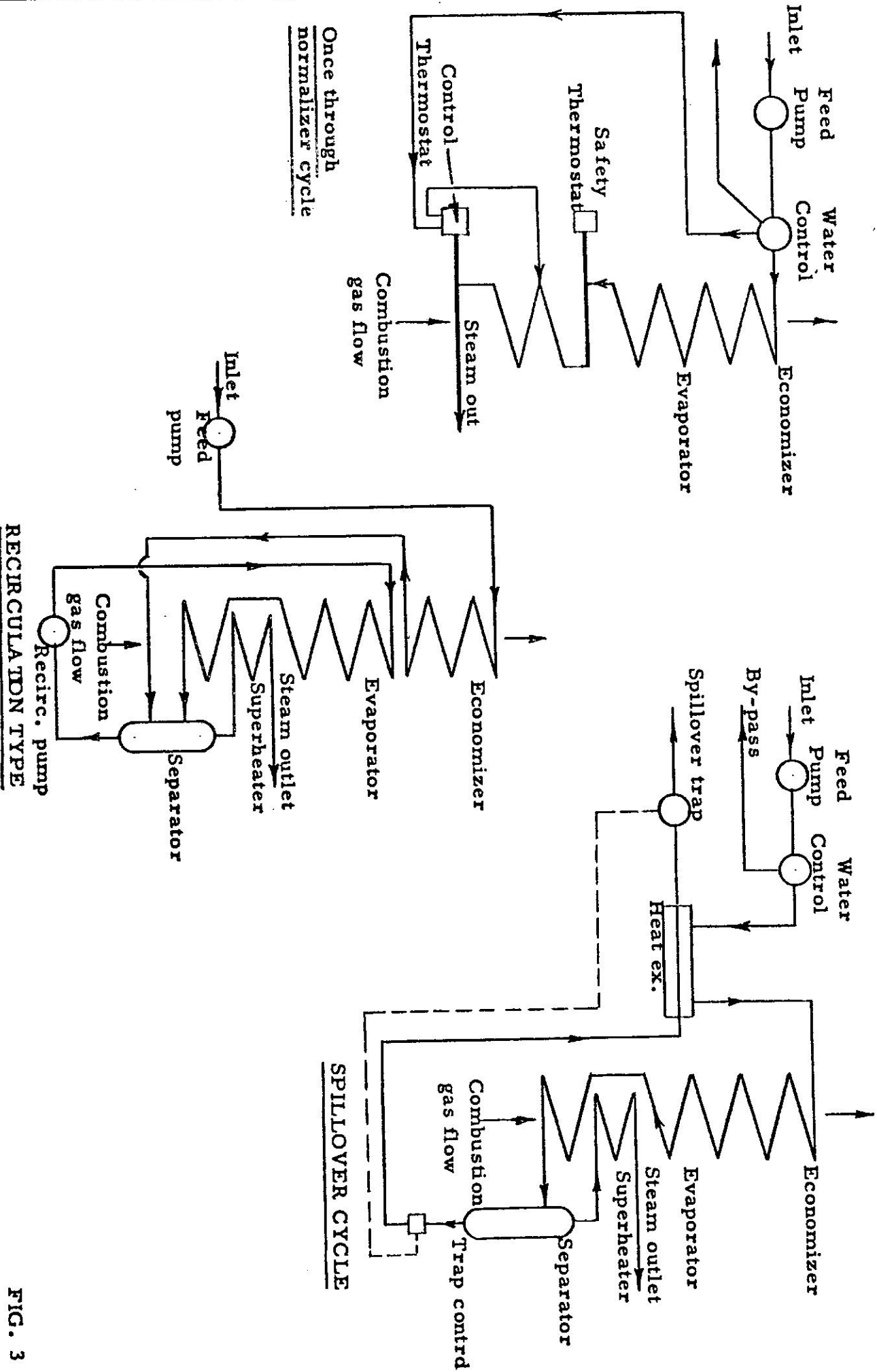


**FORCED CIRCULATION SYSTEMS  
EMPLOYED BY BESLER CORPORATION**



**FIG. 3**